

ODS - T20 Installation INSTRUCTIONS



OZRoll Pty Ltd
174 Cavan Road DRY CREEK SA 5094 AUSTRALIA.

E sales@ozroll.com.au

W www.ozroll.com.au

The OZRoll Logo is a registered trademark of OZRoll Pty Ltd.
Copyright © 2007 OZRoll Pty Ltd. All Rights Reserved.

No part of this publication may be reproduced, stored in a retrieval system, or transmitted, in any form or by any means, electronic, mechanical, photocopy, recording, or otherwise, without the prior written permission of OZRoll Pty Ltd.

Due to continued research & development changes may be made to the information in this publication without obligation to notify any person of such revision or changes.

ODS - T20 INSTALL INSTRUCTIONS Version 03 - MAY 2008.

PART NUMBER 15.300.013

SPECIFICATIONS.

ODS - T20 Tubular Motor

Nominal Torque:	20Nm
Nominal Speed:	16rpm
Max Operating Current:	4.2 Amps
Nominal Voltage:	12 volts
Internal End Stop Limits	32 turns

Ensure that the shutter is within the lifting zone of the ODS - T20 Tubular Motor (Refer to Figure 3).

1. FIT THE DRIVE WHEEL TO THE TUBULAR MOTOR.

Fit the appropriate drive wheel for the axle being used. These are available separately.

For a 50mm Round Axle

Use a Drive Wheel Kit (part number 15.175.406).

Fit the yellow drive wheel to the metal drive spindle at the end of the motor.

Use the white retaining clip to attach the drive wheel.

Ensure the pin on the retaining clip is sitting in the hole in the metal drive spindle.

Finish off by fitting the locking screw in the middle of the white retaining clip.

For a 60mm Octagonal Axle

Use a Drive Kit (part number 15.176.406).

Fit the crown wheel adaptor over the end of the tubular motor and slide it along to the crown wheel.

The key in the crown wheel must engage with the slot in the adaptor to give a flush fit. (Refer to Figure1)

Fit the drive wheel to the metal drive spindle at the end of the motor.

Use the white retaining clip to attach the drive wheel. Ensure the pin on the retaining clip is sitting in the hole in the metal drive spindle. Finish off by fitting the locking screw in the middle of the white retaining clip.

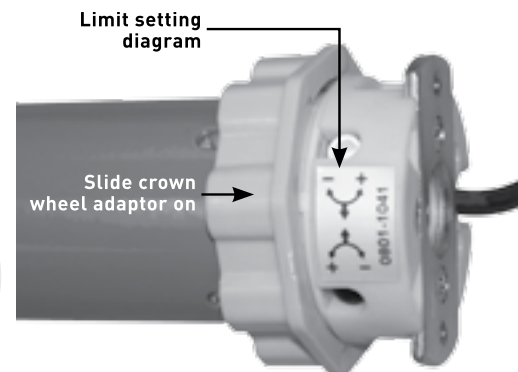


Figure 1

2. CUT THE AXLE TO LENGTH.

The axle must be cut so that there is a 20mm gap between the end of the axle and the surface that the T20 motor will be mounted to. (Refer to Figure 2). If a crown wheel adaptor is used the gap must be 23mm.

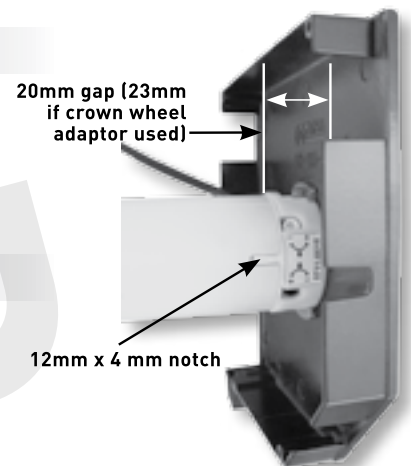


Figure 2

3. FIT THE MOTOR TO THE AXLE

If a 50mm round axle is to be used it must have a 4mm x 15mm notch cut into it. This is to accommodate the key on the crown wheel. (Refer to Figure 2). Also the drive wheel fitted to the tubular motor must be fixed to the axle by pop rivets. Drill 3 equispaced holes (1/8 or 3.2mm). These must be at a distance of 580±5 mm from the motor end of the axle.

If a 60mm octagonal axle is used the motor and drive wheel will sit inside the axle and provide drive without the need for pop rivets.

4. FIT THE MOTOR AND AXLE TO THE END PLATE.

The motor must be attached to the endplate using two M5 screws (Part Number 19.900.005, available separately). Drill two screw holes in the endplate with hole centres 48mm apart.

The stub axle, common to standard roller shutter fittings, must support the T20 motor. Fit the motor to the stub axle protruding from the endplate and fix it in position with the screws.

Ensure the installation protects the motor from direct exposure to water.

Specific attention needs to be given to the routing of the power cable to prevent water ingress and to ensure that it doesn't foul with the curtain.

Water ingress may void the warranty.

The routing of the power cable needs to comply with local wiring regulations.

5. CONNECT THE MOTOR TO THE CONTROLLER.

The T20 is a reverse polarity motor and is supplied with a 2-metre lead. The lead is terminated with female spade connectors (4.8mm x 0.5mm).

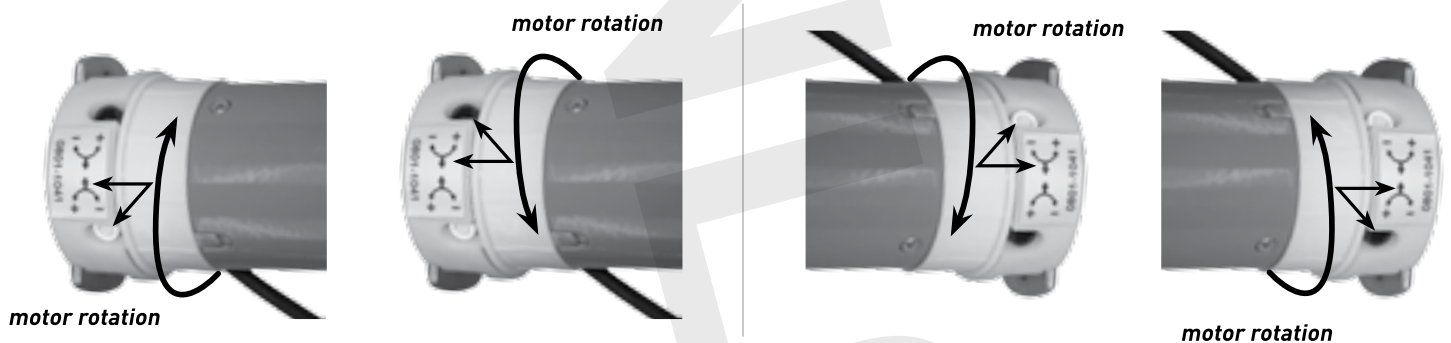
When the red lead is connected to a positive (+) terminal and the black lead is connected to a negative (-) terminal the motor will turn in an anticlockwise direction (when viewed from the drive wheel end).

6. SETTING THE LIMITS

Use the tool provided to set the up and down limit switches. Refer to the figures below.

On the limit setting diagram there are two arrows pointing towards each other. These indicate the direction of motor rotation (not the direction of shutter travel).

To adjust the limit switches: 1) Pick the direction of motor rotation that requires adjustment.
2) Adjust the appropriate screw. Plus (+) will add travel. Minus (-) will reduce travel.



7. THE ODS T20 LIFTING CAPACITY

The OZRoll Drive System T20 Tubular Motor Lifting Capacity.
Lifting Capacity - AR400 Slat Profile (4Kg/msq) on a 50mm Round Axle

Figure 3

